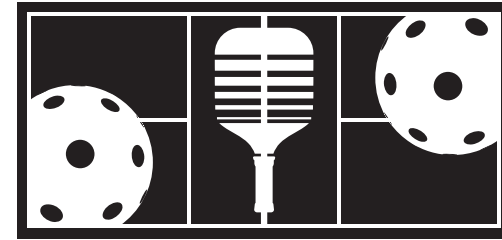


Winner's Bracket

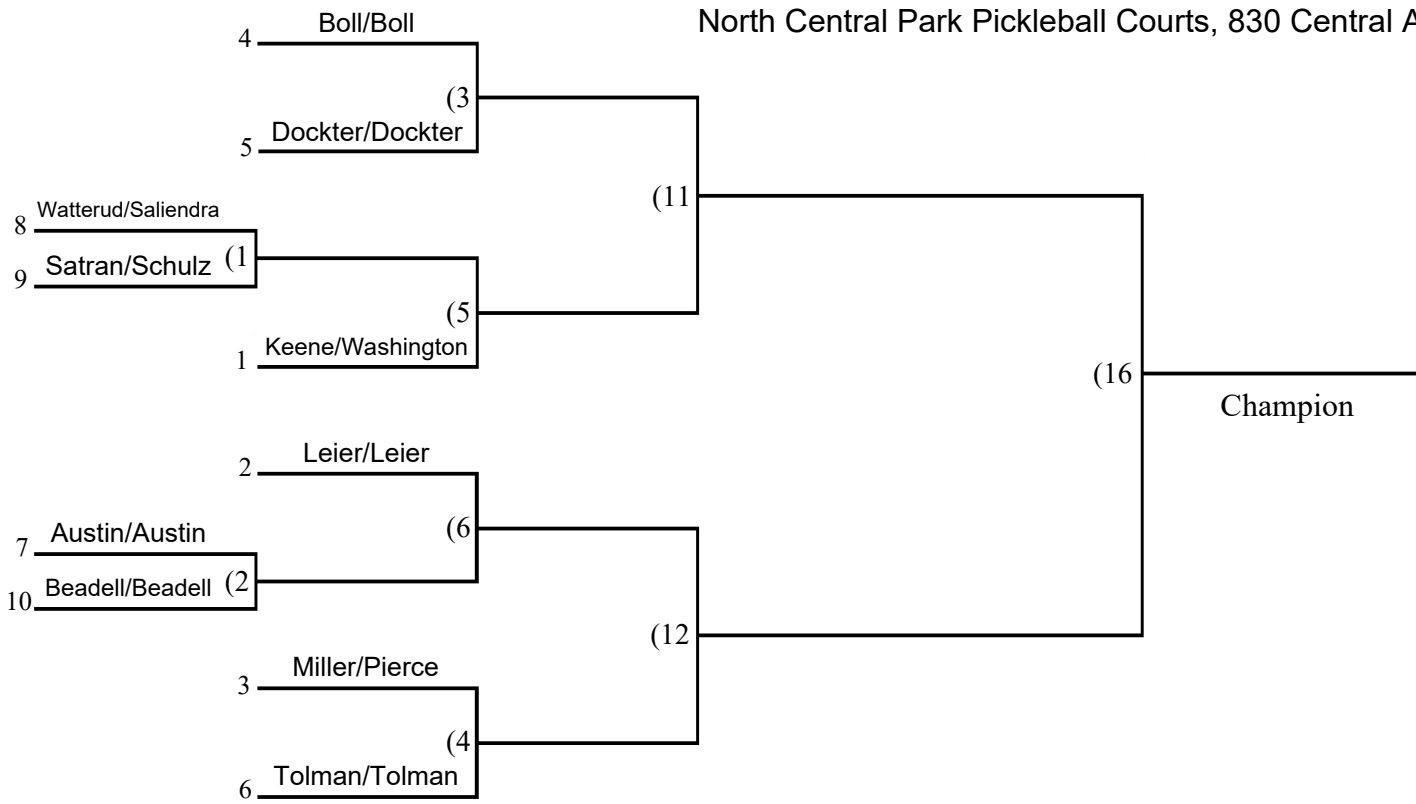
**Mixed 2.5 - 3.0 Doubles**

North Central Park Pickleball Courts, 830 Central Ave.

2020 BISMARCK  
**PICKLEBALL**  
TOURNAMENT



**IT'S KIND OF A BIG DILL**

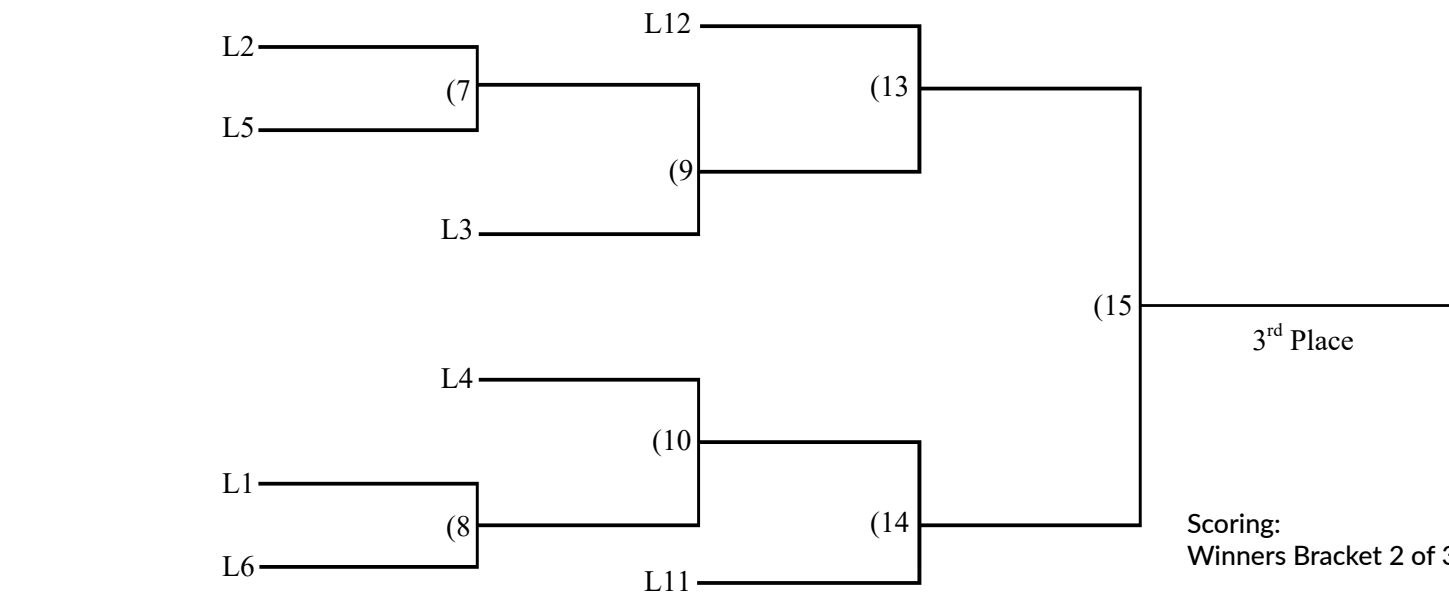


Champion

2<sup>nd</sup> Place (Loser of 16)

4<sup>th</sup> Place (Loser of 15)

Consolation Bracket



3<sup>rd</sup> Place

Scoring:  
Winners Bracket 2 of 3 Games to 11/Consolation Bracket 1 Game to 15